



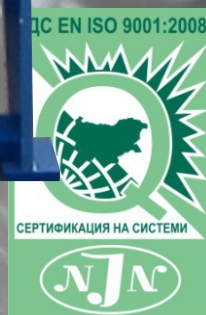
# ECMOC

MACHINES FOR AN ORDERLY FUTURE

## Granulators Series 300

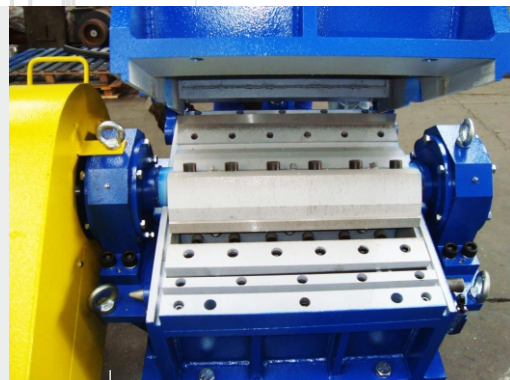
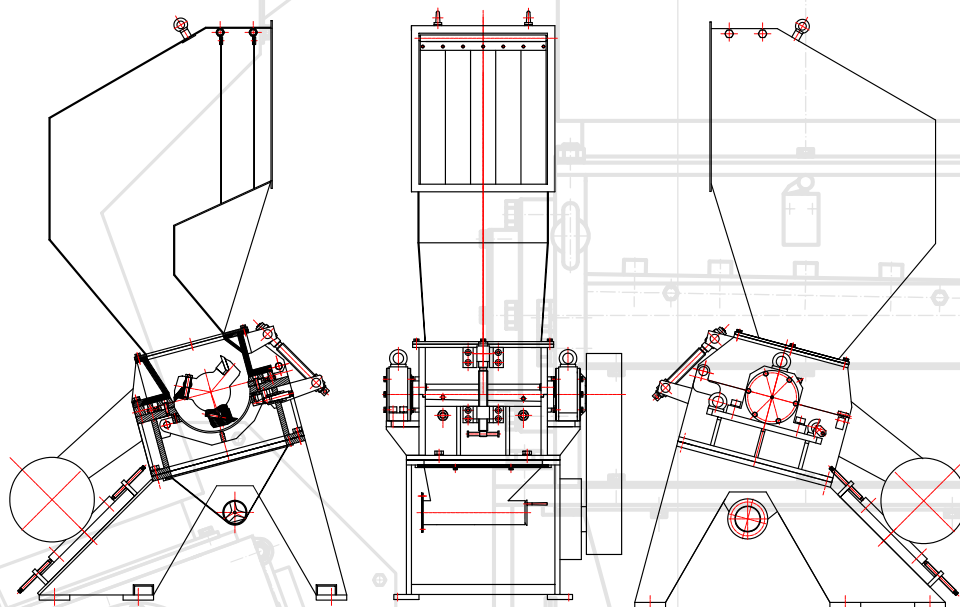


ESMOS 74 Kiril and Metodiy Str. 5900 Levski, Bulgaria  
T: +359884677984 Fax: 065082317 [www.esmos-ad.com](http://www.esmos-ad.com) E: [office@esmos-ad.com](mailto:office@esmos-ad.com)



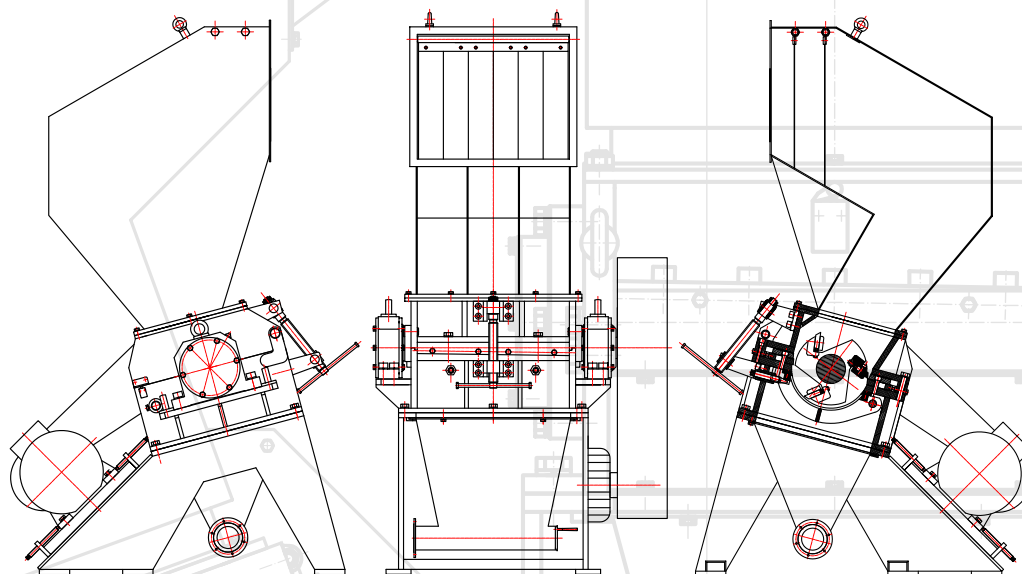
# Granulator M300/450

Technical data	M 300 / 450
Productivity, kg/h	300
Motor, kW	11/18,5
Rotor nb./ mm	300
Rotor knives	3x450
Stator	Two rows
Stator knives, pcs. mm	2x450
Screen holes, mm	4 mm - 80 mm
Length, mm	1050
Height, mm	1750
Width, mm	1350
Weight, kg	760
Bearings	FAG or SKF or ZKL
Manufacturing time, weeks	4\6



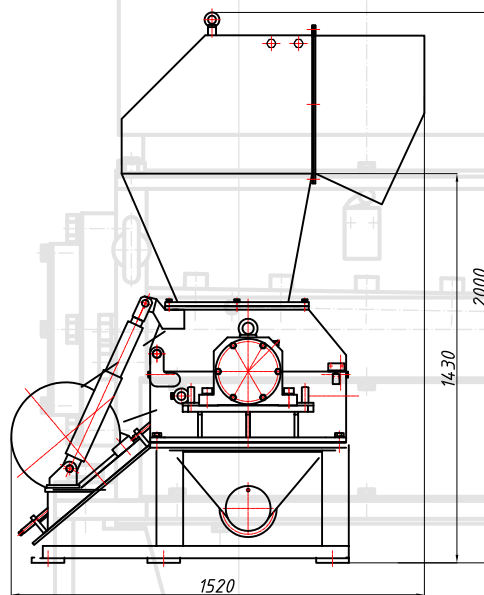
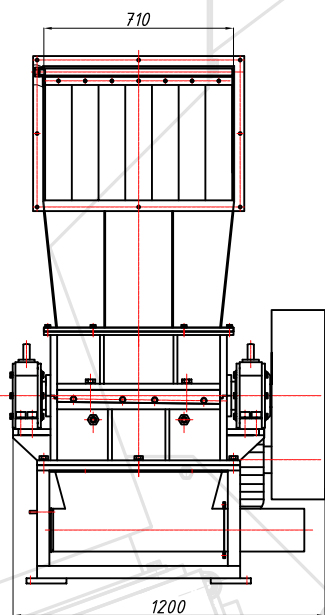
# Мелница М300/600

Technical data	M 300/ 600
Productivity, kg/h	400
Motor, kW	15/22
Rotor nb./ mm	300
Rotor knives	3x600
Stator	Two rows
Stator knives, pcs. mm	4x600
Screen holes, mm	from 4 mm - 20 mm
Length, mm	1180
Height, mm	2050
Width, mm	1220
Weight, kg	1080
Bearings	FAG or SKF or ZKL
Manufacturing time, weeks	4\6



# Granulator M400/600

Technical data	M 400 / 600
Productivity, kg/h	500
Motor, kW	18,5/30
Rotor nb./ mm	400
Rotor knives	3x600
Stator	Two rows
Stator knives, pcs. mm	4x300
Screen holes, mm	from 4 mm - 80 mm
Lenght, mm	1520
Height, mm	2000
Width, mm	1200
Weight, kg	2300
Bearings	FAG or SKF or ZKL
Manufacturing time, weeks	8\10





Contact us

ESMOS Ltd.

74 Krili and Metodiy Str.  
5900 Levski,  
Bulgaria

T: +359884677984

E: [office@esmos-ad.com](mailto:office@esmos-ad.com)

F: 065082317